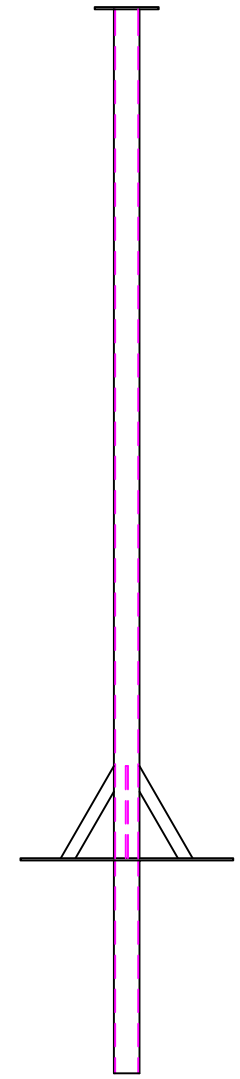
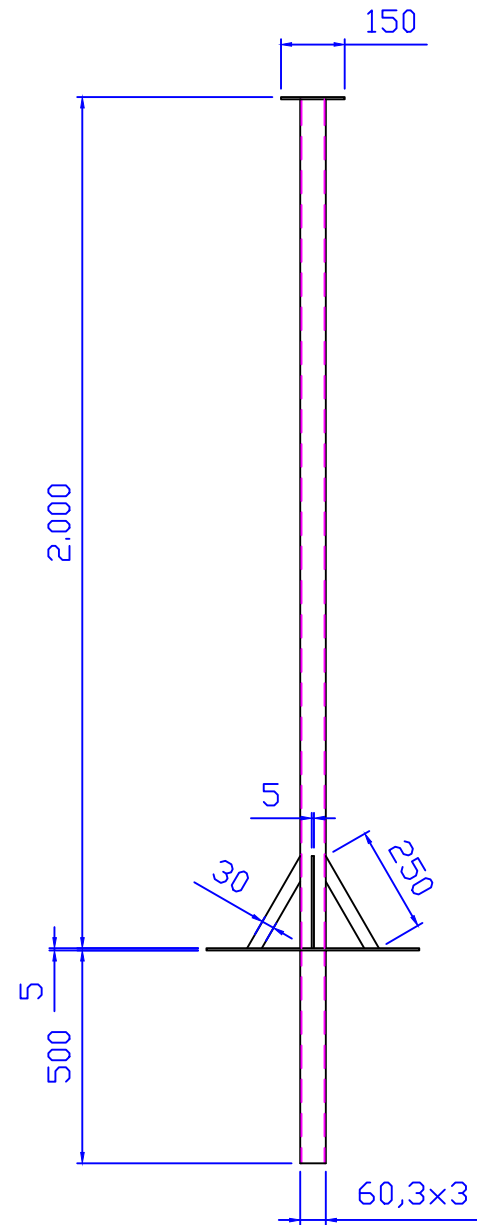
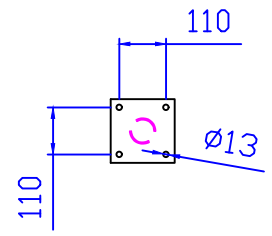
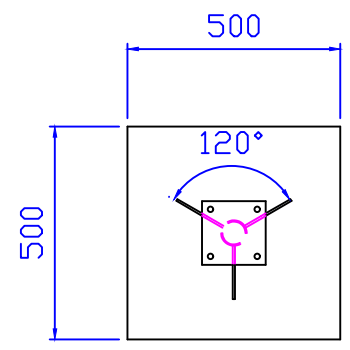



RevNo	Revision note	Date	Signature	Checked
-------	---------------	------	-----------	---------



Itemref	Quantity	Title/Name, designation, material, dimension etc	Article No./Reference		
Designed by A. van Heusden	Checked by	Approved by - date	File name	Date 08-02-2020	Scale 1:1
 <b>LMW NEDERLAND</b> LASWERKEN   MONTAGEWERKEN <a href="http://WWW.LMW-NEDERLAND.NL">WWW.LMW-NEDERLAND.NL</a>			Zakbaken 2000mm		
			Edition 1	Sheet A3	